

# COBRA

MODEL: GTT400HD

## HEAVY DUTY DUMP TRAILER OWNERS MANUAL



Cart shown above may differ slightly in design from actual cart.

# COBRA CARTS AND TRAILERS - INSTRUCTION MANUAL

## YOU MUST READ THIS DOCUMENT BEFORE YOU BEGIN TO ASSEMBLE THE POLY DUMP CART.

Thank you for purchasing this poly dump cart. When properly assembled and maintained, this product will provide years of reliable service. These instructions include helpful hints and important information needed to safely assemble and properly maintain the dump cart. Please read these instructions **before** you begin.

If you have any questions during the assembly, contact Customer Service for assistance.

## SAFETY PRECAUTIONS

**Do not** use the dump cart if any part is broken or damaged.

*This dump cart is not a toy.* **Do not** allow children use the dump cart.

**Do not** use on inclines; dump cart may tip or roll away.

**Do not** load your dump cart with more than 600lbs.

Inflate the tires with ambient air only.

Inflate the tires to the proper level as indicated on the tires. Do not inflate tires more than 30 PSI.

**Never** use a flammable gas to inflate the tires.

Always set the handle to its standard position when pulling the cart with a garden tractor.

**Never** allow riders in the dump cart.

*Always* empty the dump cart before disconnecting it from a garden tractor.

Cart tongue must be in its retracted or standard position when the cart is not pulled.

**Stand clear** of the tongue and handle when dumping the dump cart; each will raise when the cart is dumped.

## CARE AND MAINTENANCE

Periodically check nuts and bolts to make sure they are tight and secure.

Clean the dump cart using water and mild soap. Rinse with water sprayed from a garden hose. (Tip the dump cart forward to let water drain out after washing.)

Inspect the cotter pins in the axle and verify that they are in position and in good condition.

Check the tire pressure and adjust to recommended pressure if needed.

Periodically lubricate the caster to ensure smooth operation.

## REQUIRED TOOLS

The following list identifies the main tools needed for assembly. *Recommended two (2) people for assembly.*

Flathead and Phillips screwdriver

Metric and standard wrenches and socket set

Pliers

## UNPACK AND IDENTIFY PARTS

The following steps will ensure that you have all the necessary parts before you begin to assembly.

1. Unpack the contents of the shipment and place where you can easily inventory the parts.
2. If anything is missing or you have questions, consult the Pictorial Parts List or contact Customer Service.



## ATTACH AXLE PLATE

The following steps show how to assemble the pull style dump cart.

**NOTE:** Fasteners needed to secure the axle plate to the tub are attached to the axle plate.

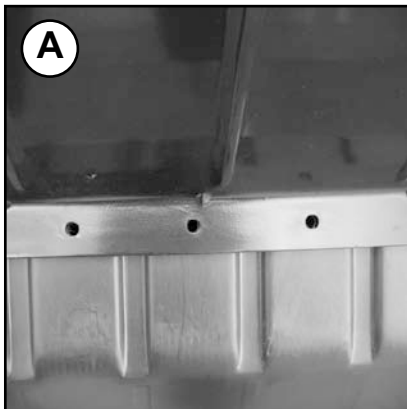
Photo shows the axle removed from the axle plate. Axle is shipped inserted into the axle plate and can be removed during installation if desired.



1. With assistance, place the tub on its side on a flat surface and hold or brace in position.

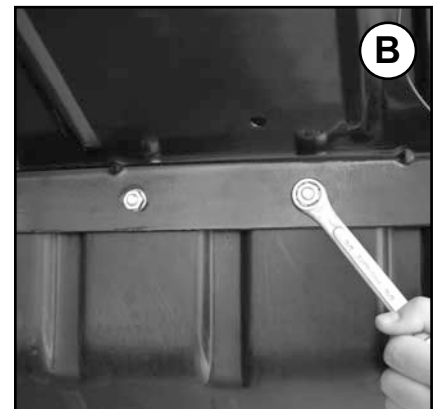
**NOTE:** You must be able to access the inside and underside of the tub to attach the axle plate.

2. Align the holes of axle plate with the holes of the tub as shown in diagram A.



3. Secure the axle plate to the tub using the ten (10) M8x20 bolts, M8 flat washers, M8 lock washers, and M8 nuts.

*Insert all bolts through the dump cart tub with the head of the bolts to the inside of the tub. The nuts and lock washers are to the outside against the axle plate as shown in diagram B.*



4. Tighten all bolts.

## Parts List and Tools Required



Socket/Wrench Set



Phillips Screwdriver

Axle Plate (1)



Tub (1)



M8 x 20mm Bolts (10)



M8 Lock Washer (10)



M8 Hex Nut (10)



M8 Flat Washer (10)

# COBRA CARTS AND TRAILERS - INSTRUCTION MANUAL

## ATTACH SUPPORT

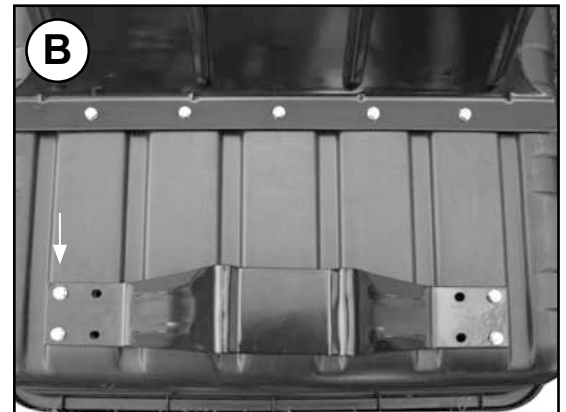
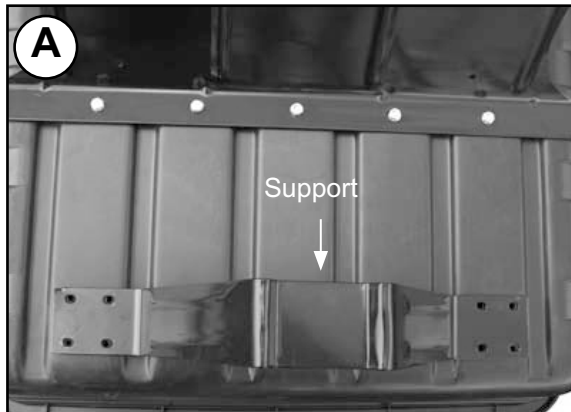
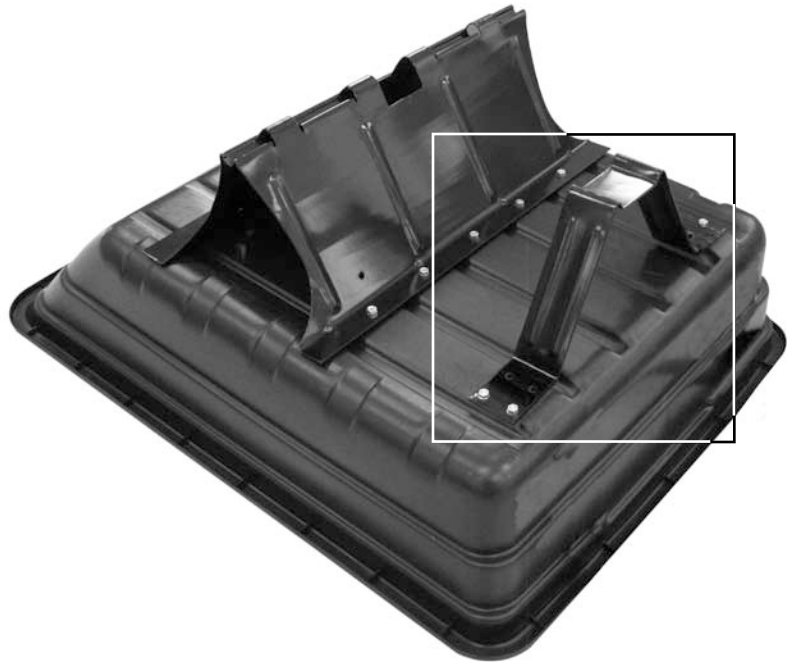
**NOTE:** Fasteners needed to secure the support to the tub are attached to the support.

1. Align the holes of the support with the holes near the end of the tub (A).
2. Secure support to the tub using four (4) M8x20 bolts, four (4) M8 flat washers, four (4) M8 lock washers, and four (4) M8 hex nuts.

**NOTE:** Secure bolts into the outer bolt holes. See white arrows below (B). The inner bolt holes are used to attach the handle assembly.

*Insert all bolts through the dump cart tub with the head of the bolts to the inside of the tub*

3. Tighten all bolts.



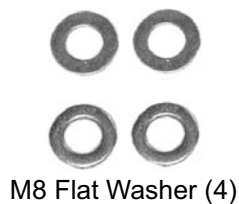
## Parts List and Tools Required



Phillips Screwdriver



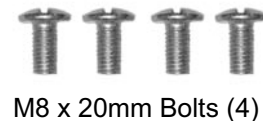
Socket/Wrench Set



M8 Flat Washer (4)



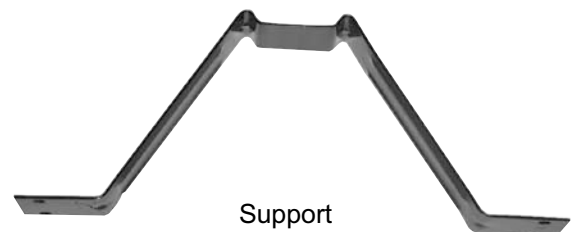
M8 Hex Nut (4)



M8 x 20mm Bolts (4)



M8 Lock Washer (4)



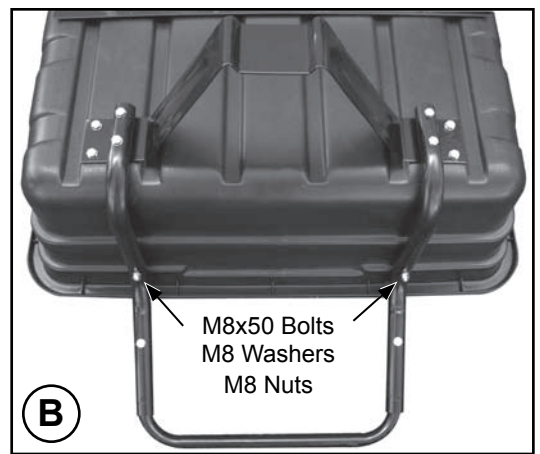
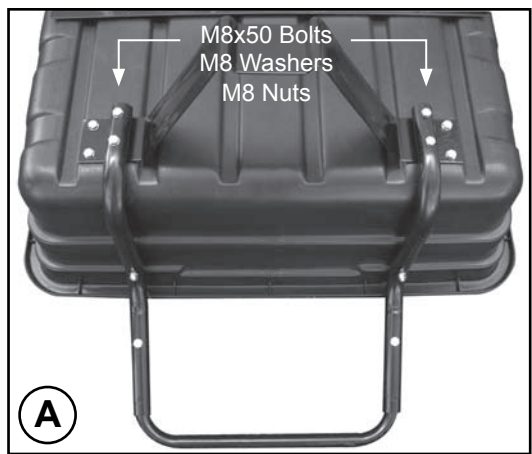
Support

**ATTACH HANDLE ASSEMBLY**

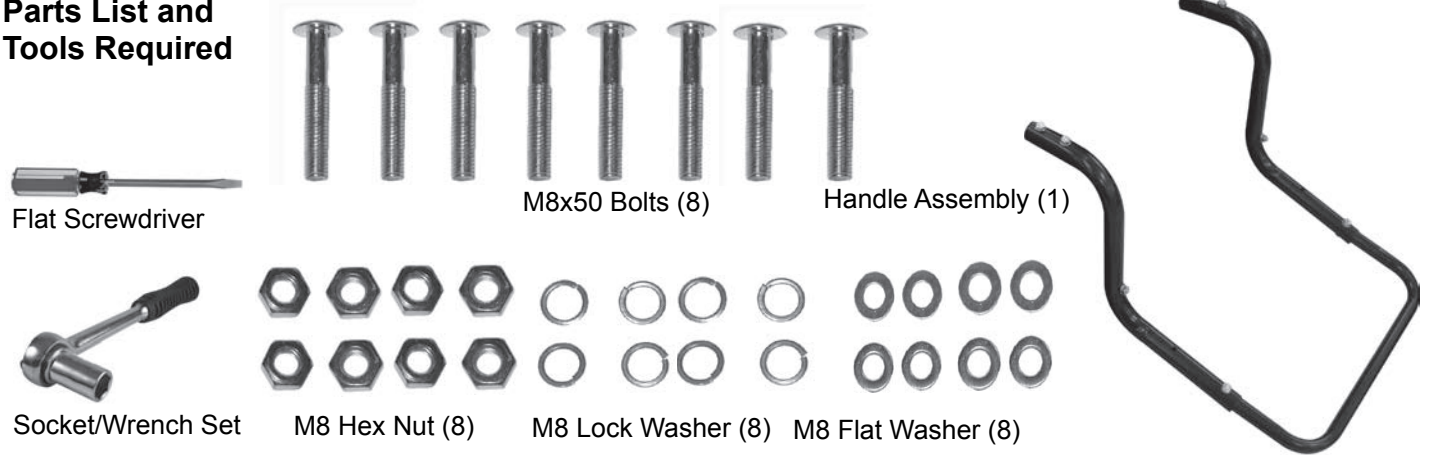
**NOTE:** Fasteners needed to secure the handle assembly to the tub are attached to both the support and handle assembly.

*Insert all bolts through the dump cart tub with the head of the bolts to the inside of the tub.*

1. Align the holes of the handle assembly with the holes of the support.
2. Secure handle assembly and support to the tub using four (4) M8x50 bolts, four (4) M8 flat washers, four (4) M8 lock washers, and four (4) M8 hex nuts. See diagram A.
3. Secure the handle to the edge of the tub using two (2) M8x50 bolts, two (2) M8 flat washers, two (2) M8 lock washers, and two (2) M8 hex nuts as shown in diagram B.
4. Tighten all bolts.



**Parts List and Tools Required**

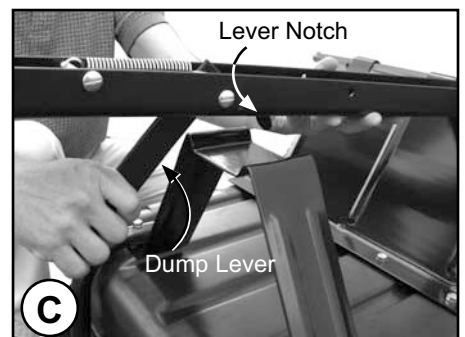
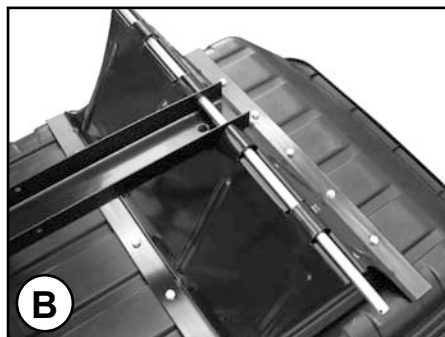


---

# COBRA CARTS AND TRAILERS - INSTRUCTION MANUAL

## ATTACH DUMP LEVER ASSEMBLY

1. If needed, remove the axle, washers, and cotter pins and set the axle and fasteners aside in a safe place.
2. Position the dump lever assembly, with the spring facing up, onto the support and into the center space of the axle plate as shown in the photo to the right.
3. Insert the axle through the axle plate and through the hole in the dump lever assembly as shown in diagrams A and B.
4. Pull the dump lever, press the assembly against the support and slide the notch in the lever over the support as shown in diagram C to secure the two components.



---

## Parts List and Tools Required



Axle (1)



Dump Lever

Dump Lever Assembly (1)

**ATTACH WHEELS**

1. Place the axle sleeve and washer end of the axle. Slide a wheel onto the axle with the valve stem outward.
2. Using the washer and cotter pin that was set aside earlier in these instructions, slide the washer onto the axle and insert a cotter pin through the hole in the end of the axle.
3. Using pliers, spread the ends of the cotter pin to prevent it from falling out and to secure wheel.
4. Repeat the above steps to install the remaining wheel.



**Parts List and Tools Required**



Axle sleeve(2)



Wheel Washer (4)



Cotter Pins (2)



Wheels (2)



Pliers

# COBRA CARTS AND TRAILERS - INSTRUCTION MANUAL

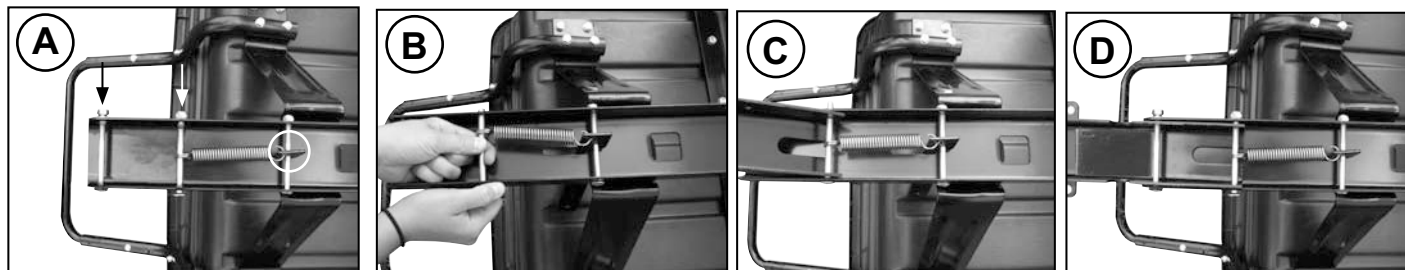
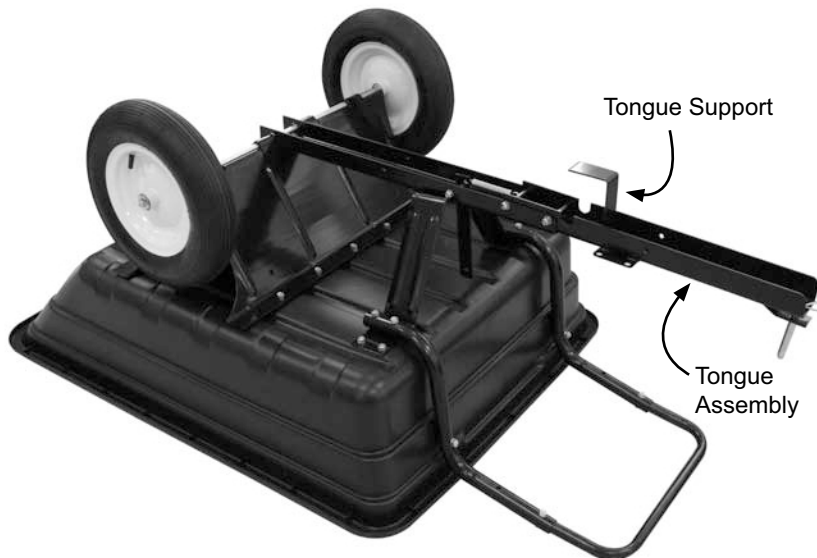
## ATTACH TONGUE ASSEMBLY

1. Using diagram A for reference, remove the two outer 3-1/2" bolts from the dump lever assembly.

**NOTE:** Unhook the spring from the dump lever using a pliers to easily remove the bolt if desired. See the circle in diagram A.

2. Position the tongue assembly, with the tongue support facing up as shown in the diagram to the right, into the dump lever assembly.
3. Align the bolt holes and secure in place using the same 3-1/2" bolts removed earlier in Step 1. See diagrams B, C, and D.

**NOTE:** Reinstall the spring as shown below. Verify that one end is hooked to the dump lever and the other is secured by the bolt. See diagram D.



## Parts List and Tools Required



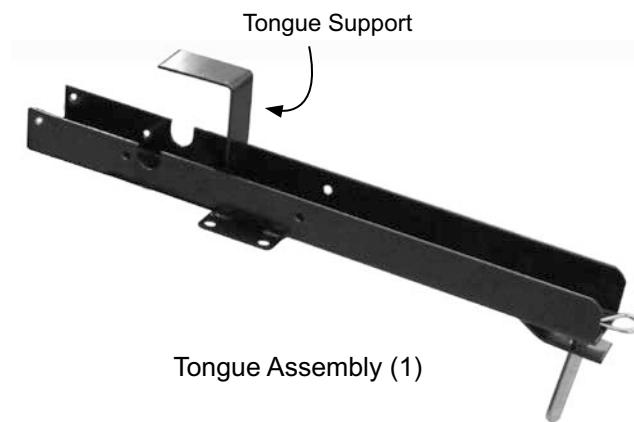
Flat Screwdriver



10M Socket Wrench



Pliers





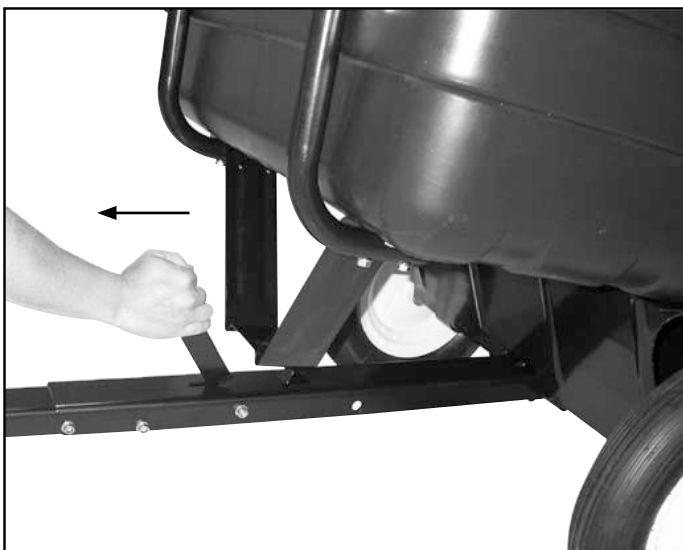
## ATTACH TONGUE ASSEMBLY (continued)

4. With the tongue assembly secured to the dump lever assembly, carefully turn the dump cart right onto its wheels.

**NOTE:** When pulling the cart with a garden tractor, the handle must be in the standard position. See white arrow in photo to the right.

This position helps prevent the handle from contacting the garden tractor when in use.

5. Return to all fasteners and verify that they are tight.



### DUMPING THE CART

To dump the cart *when it is attached to a garden tractor*, pull the dump lever forward as shown in the diagram to the right.

**⚠ WARNING:** To prevent damage and possible injury, never disconnect a loaded cart from the garden tractor. ***The cart must remain attached to a garden tractor until it is emptied.***

Stay clear of the handle as the tub tilts.

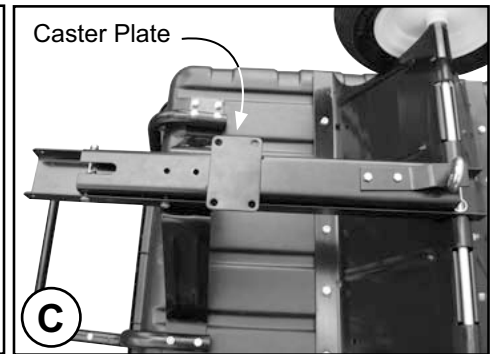
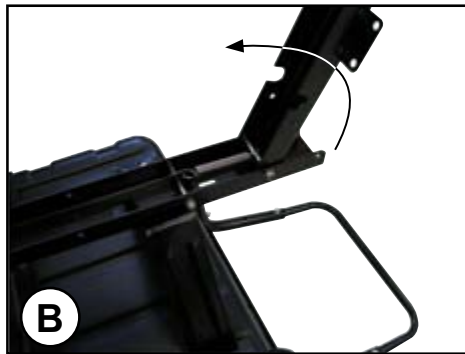
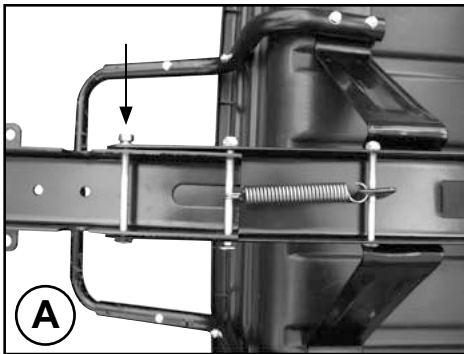
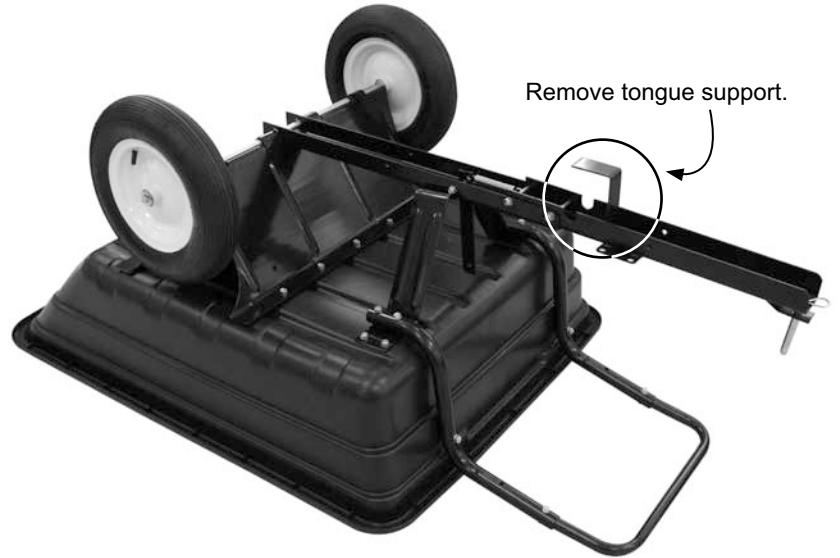
---

# COBRA CARTS AND TRAILERS - INSTRUCTION MANUAL

## PUSH CART ASSEMBLY

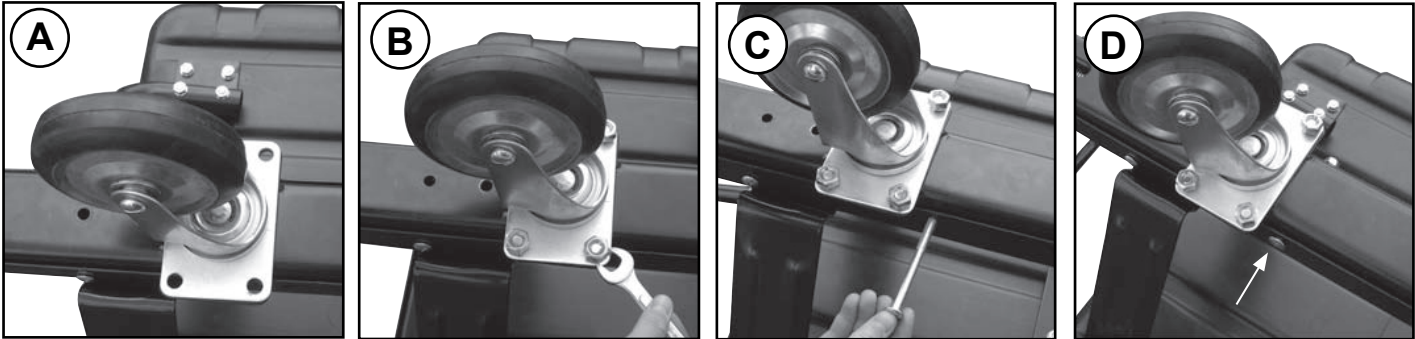
To convert the pull cart to a push cart follow these instructions:

1. After assembling the dump cart, remove the tongue support, and *store the support and fasteners in a safe place for future use.*
2. Remove the outer 3-1/2" bolt (A) from the tongue assembly. See black arrow.
3. Pivot the tongue back toward the axle (B). The tongue rests inside the dump lever assembly as shown in diagram C.



**PUSH CART ASSEMBLY (continued)**

- 4. Secure caster to the caster mounting plate using four (4) M12 bolts, four (4) washers, and four (4) nuts, which were attached to the caster during shipping. See diagrams A and B.
- 5. Reattach the 3-1/2" bolt, washer and nut (removed earlier) to lock the tongue assembly in place. Consult diagrams C and D.
- 6. Tighten all bolts.



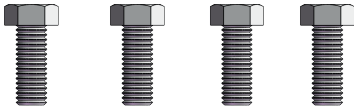
**Parts List and Tools Required**



Flat Screwdriver



10M Socket Wrench



M10 bolts (4)



M10 Lock washer (4)



M10 Hex Nut (4)



Caster (1)

---

# COBRA CARTS AND TRAILERS - INSTRUCTION MANUAL

## PUSH CART ASSEMBLY (continued)

7. Carefully flip the dump cart onto its wheels.
8. Adjust the handle as desired using the handle bolts and either of two (2) holes. Handle is shipped in the standard position.

**Extended Handle Position:** Remove the bolts and extend the handle. Align the bolt holes and secure the handle using bolts, washers, and nuts.

9. Return to all fasteners and verify that they are tight.



Dump cart shown with the handles in the extended position.



Standard Handle Position



Extended Handle Position

# COBRA CARTS AND TRAILERS - INSTRUCTION MANUAL

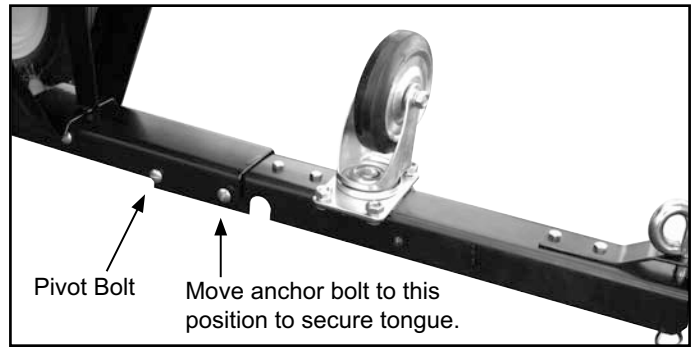
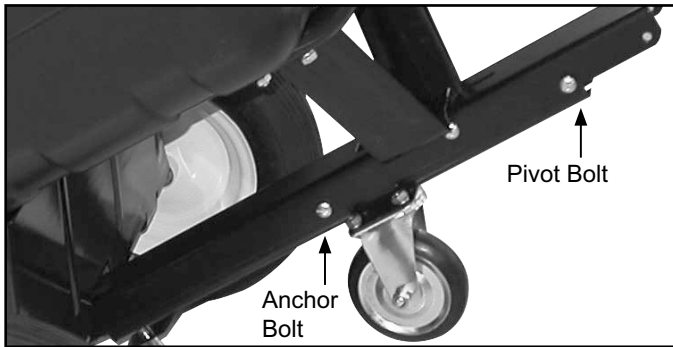
## PUSH CART ASSEMBLY (continued)

**NOTE:** Convert the push cart to a pull cart by removing the anchor bolt (see diagrams below) on the tongue assembly, swing the tongue as shown to the right to its extended position, and secure in place using the anchor bolt.

When pulling the cart with a garden tractor, set the handle in the standard position as shown in the diagram to the right. (See previous page.) This position helps prevent the handle from contacting the garden tractor when in use.



Dump cart shown with the handle in the standard position.



## DUMPING THE CART

To dump the cart when it is pushed by hand, raise the handle and tip the cart forward until the front or slanted edge of the tub rests on the ground.

To dump the cart when it is attached to a garden tractor, pull the dump lever forward as shown in the diagram below.

**⚠ WARNING:** To prevent damage and possible injury, never disconnect a loaded cart from the garden tractor. The cart must remain attached to a garden tractor until it is emptied. *Stay clear of the handle when dumping the cart!*

